

Masport[®] Heating

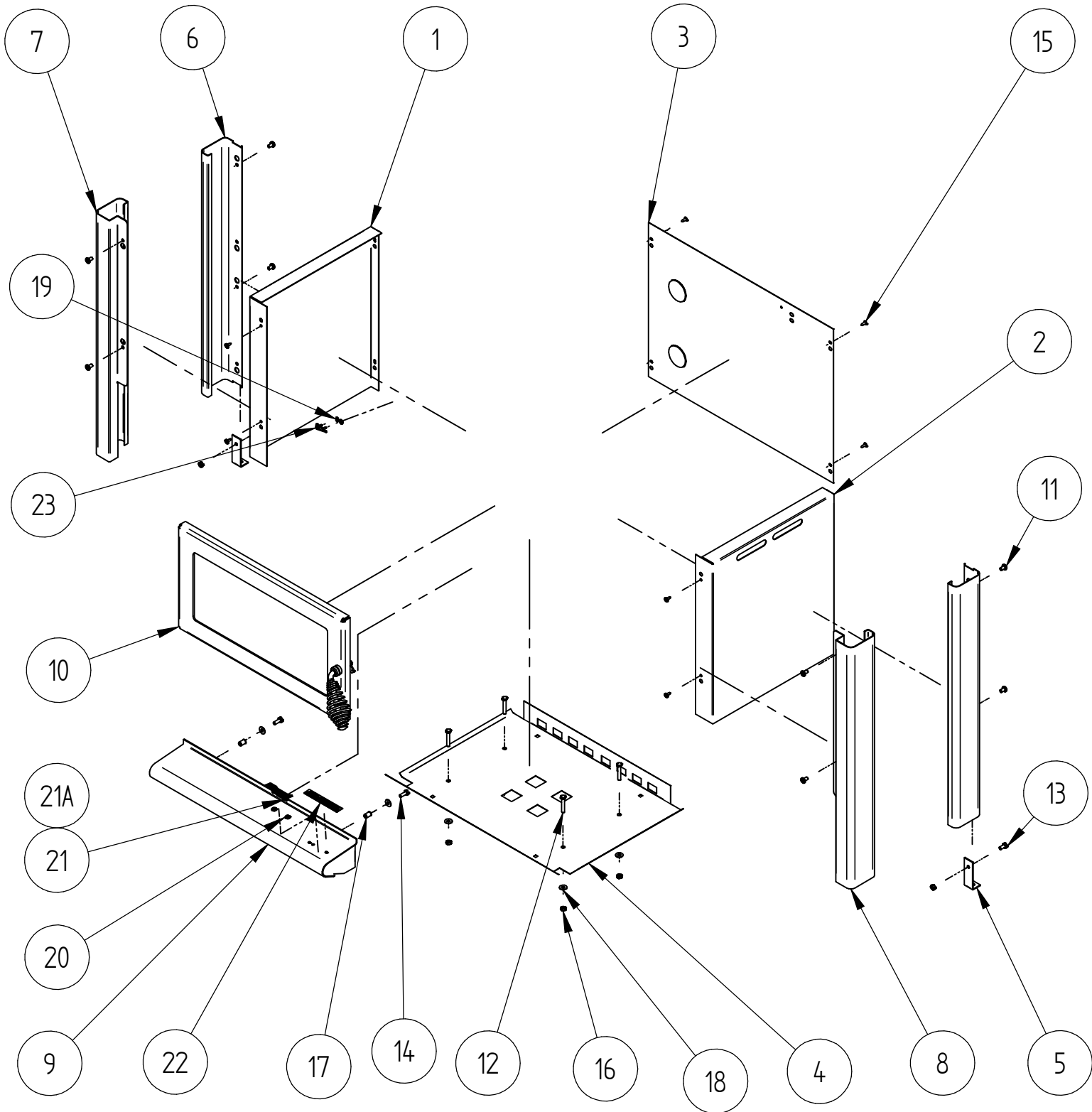
FREESTANDING WOOD FIRES

MINOS 2 CLEAN AIR - NEW ZEALAND

Item No.	MARKET	FUEL TYPE	FINISH	YEAR	FAN
MIR2BK	NZ	SOFTWOOD	Metallic Black VHT Paint	Feb-2009	No
992904					



PANELS, DOOR AND PEDESTAL

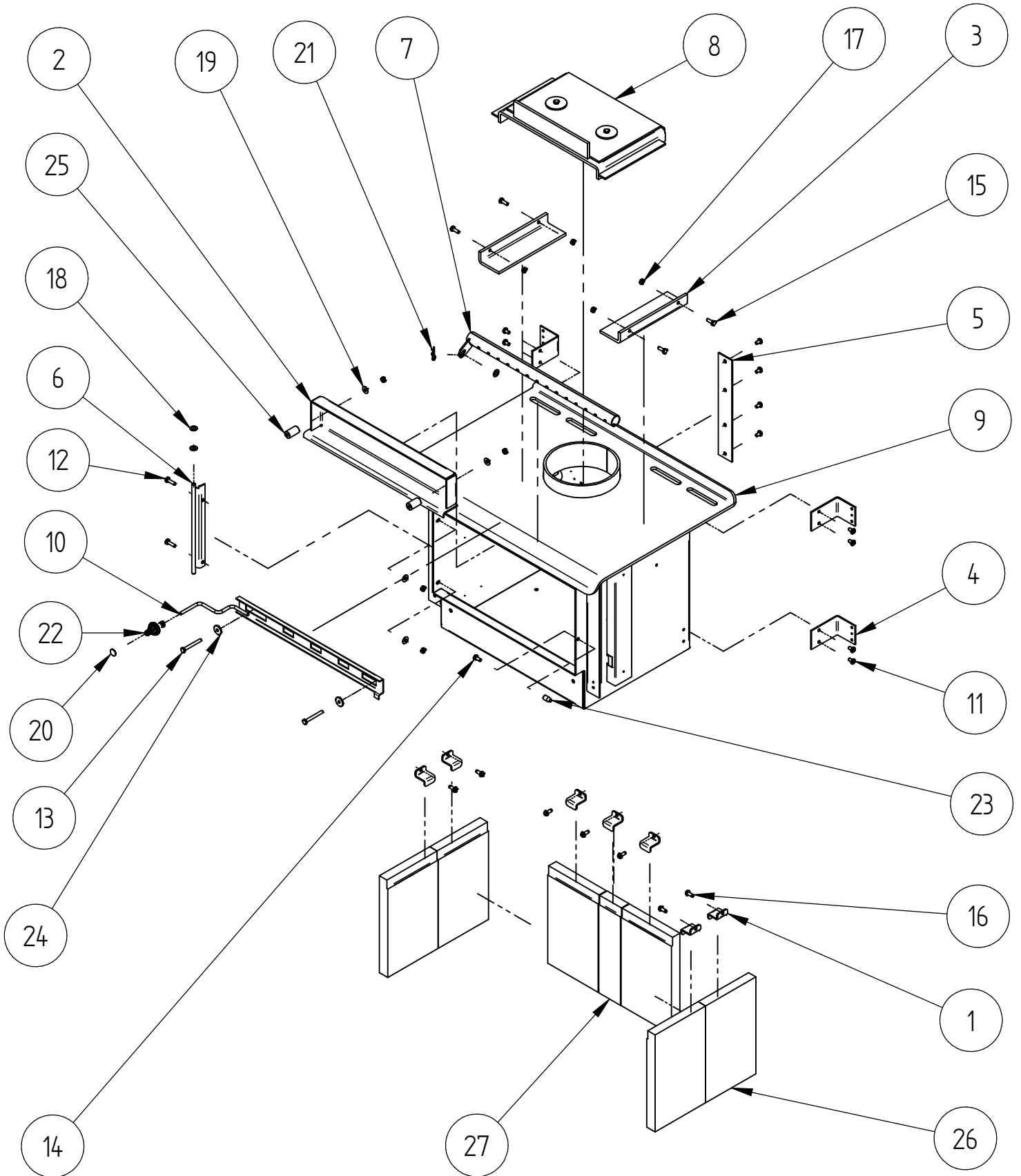


When ordering PLEASE QUOTE PART ID along with Finish Suffix (if applicable)

PANELS, DOOR AND PEDESTAL					
Item	Part ID	Model(s)		Description	Qty
		MIR2BK	992904		
1	MIR00006	V02	V02	MIR SIDE PANEL L/H	1
2	MIR00007	V02	V02	MIR SIDE PANEL R/H	1
3	MIR00012	-	-	MIR REAR HEAT SHIELD	1
4	MIR00176	-	-	MIR BASE HEAT SHIELD	1
5	MIR00179	-	-	MIR SIESMIC BRACKET	2
6	MIR00380	V02	V02	MIR REAR LEG	2
7	MIR00381	V02	V02	MIR LEFT FRONT LEG	1
8	MIR00382	V02	V02	MIR RIGHT FRONT LEG	1
9	MIRAC011	V02	V02	MIR ASH SHELF COMPLETE	1
10	MIRAC730	V02	V02	MIR FINAL DOOR COMPLETE	1
11	521045	-	-	SCREW; M6X10 PAN POZI BLK	8
12	521060	-	-	SCREW; M6X35 HEX ZP	4
13	521075	-	-	SCREW; M6X12 HEX ZP	2
14	521076	-	-	SCREW; M6X16 HEX ZP	2
15	521645	-	-	SCREW; S/T 8GX1/2" MUSH FLANGE POZI BLK	8
16	522117	-	-	NUT; HEX STD M6 ZP	6
17	522611	-	-	NUT; RIVNUT THN/SHT M6X13.5	2
18	523036	-	-	WASHER; FLAT 1/4"X5/8" BLK	6
19	526008	-	-	CLIP; STARLOCK M3	2
20	526009	-	-	CLIP; STARLOCK M4	2
21	587835	-	-	BADGE MASPORT HEATING	1
21A	MIC00740	-	-	BADGE LOGAIRE	1
22	595695	-	-	DECAL "BURN ONLY" COMBINED NZ/AUS	1
23	MIC00744	-	-	MIC HILO BADGE	1

When ordering PLEASE QUOTE PART ID along with Finish Suffix (if applicable)

AIRSLIDE, BAFFLE, BRICKS AND FIREBOX

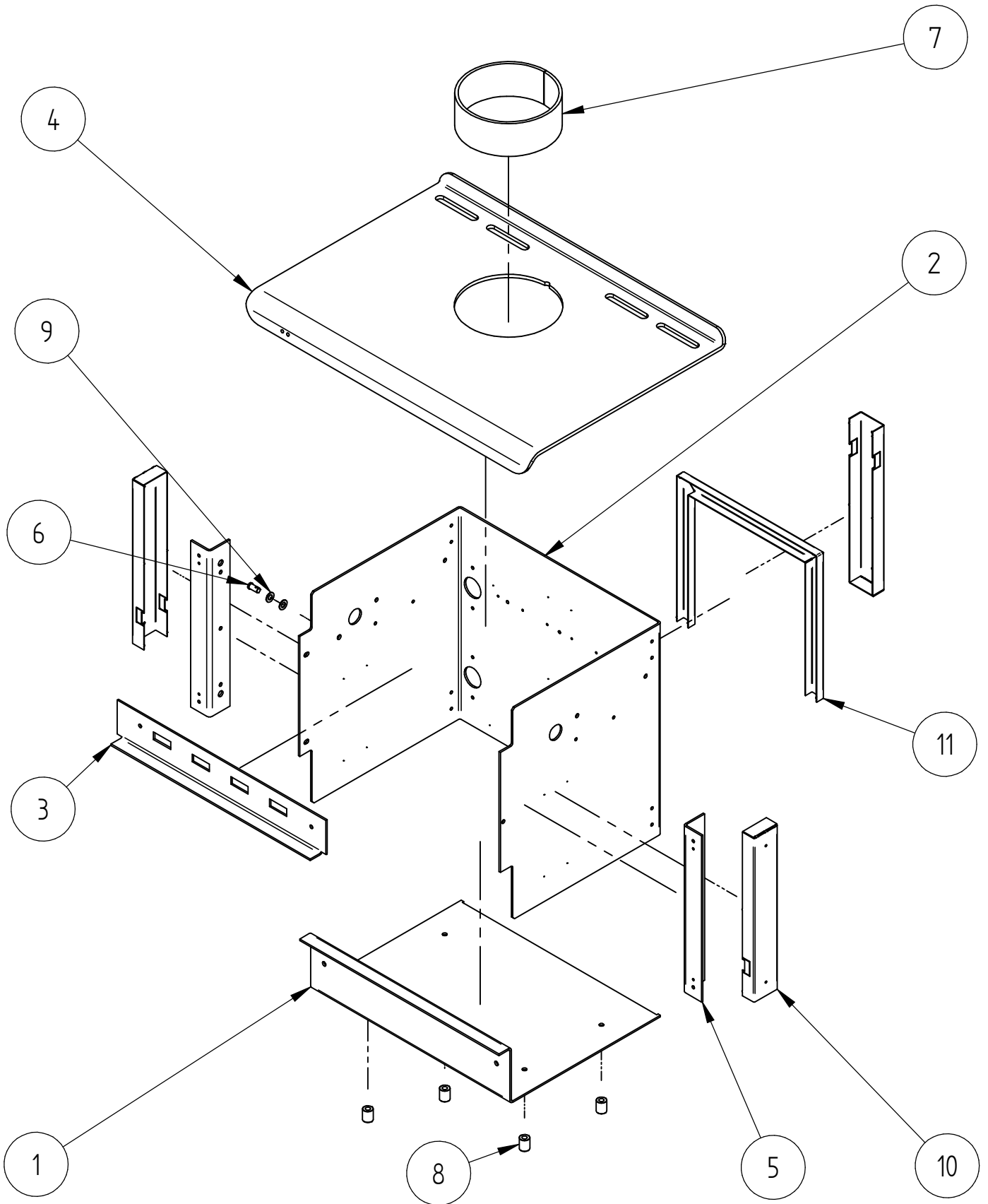


When ordering PLEASE QUOTE PART ID along with Finish Suffix (if applicable)

AIRSLIDE, BAFFLE, BRICKS AND FIREBOX					
Item	Part ID	Model(s)		Description	Qty
		MIR2BK	992904		
1	HBA00118	-	-	HBA BRICK RETAINER	7
2	MIC00102	-	-	MIC AIR DEFLECTOR	1
3	MIC00116	-	-	MIC BAFFLE SUPPORTS	2
4	MIC00130	-	-	MIC REAR BODY MOUNT BRKT	4
5	MIC00135	-	-	MIC WET BACK COVER PLATE	1
6	MICAC190	-	-	MIC DOOR HINGE ASSEMBLY	1
7	MIC00138	-	-	MIC AIR BAR ASSEMBLY	1
8	MIR2AC109	-	-	MIR2 BAFFLE SUB ASSEMBLY	1
9	MIRAC004	-	-	MIR FIREBOX ASSEMBLY	1
10	MICAC036	-	-	MIC AIR SLIDE	1
11	521046	-	-	SCREW; M6X10 PAN POZI ZP	12
12	521054	-	-	SCREW; M6X20 HEX ZP	2
13	521061	-	-	SCREW; M6X50 HEX ZP	2
14	521075	-	-	SCREW; M6X12 HEX ZP	1
15	521076	-	-	SCREW; M6X16 HEX ZP	4
16	521632	-	-	SCREW; S/T M6X15 HEX FLANGE NIC TAPTITE	7
17	522117	-	-	NUT; HEX STD M6 ZP	8
18	523018	-	-	WASHER; FLAT 5/16"X5/8" BLK	3
19	523036	-	-	WASHER; FLAT 1/4"X5/8" BLK	4
20	526006	-	-	CLIP; STARLOCK DOME M6	1
21	526101	-	-	CLIP; R-CLIP 1.8 DIA ST	1
22	LAR00375BK	-	-	LAREDO AIR CONTROL HANDLE	1
23	MIC00079	-	-	LOGAIRE CATCH PIN	1
24	MIC00083	-	-	LOGAIRE METRO AIR SLIDE SPACER	2
25	MIC00129	-	-	MIC AIR DEFLECTOR BUSH	2
26	MIC00354	-	-	MIC BRICK	6
27	MIC00355	-	-	MIC BRICK HALF	1

*Optional Sale Kit

FIREBOX DETAILS

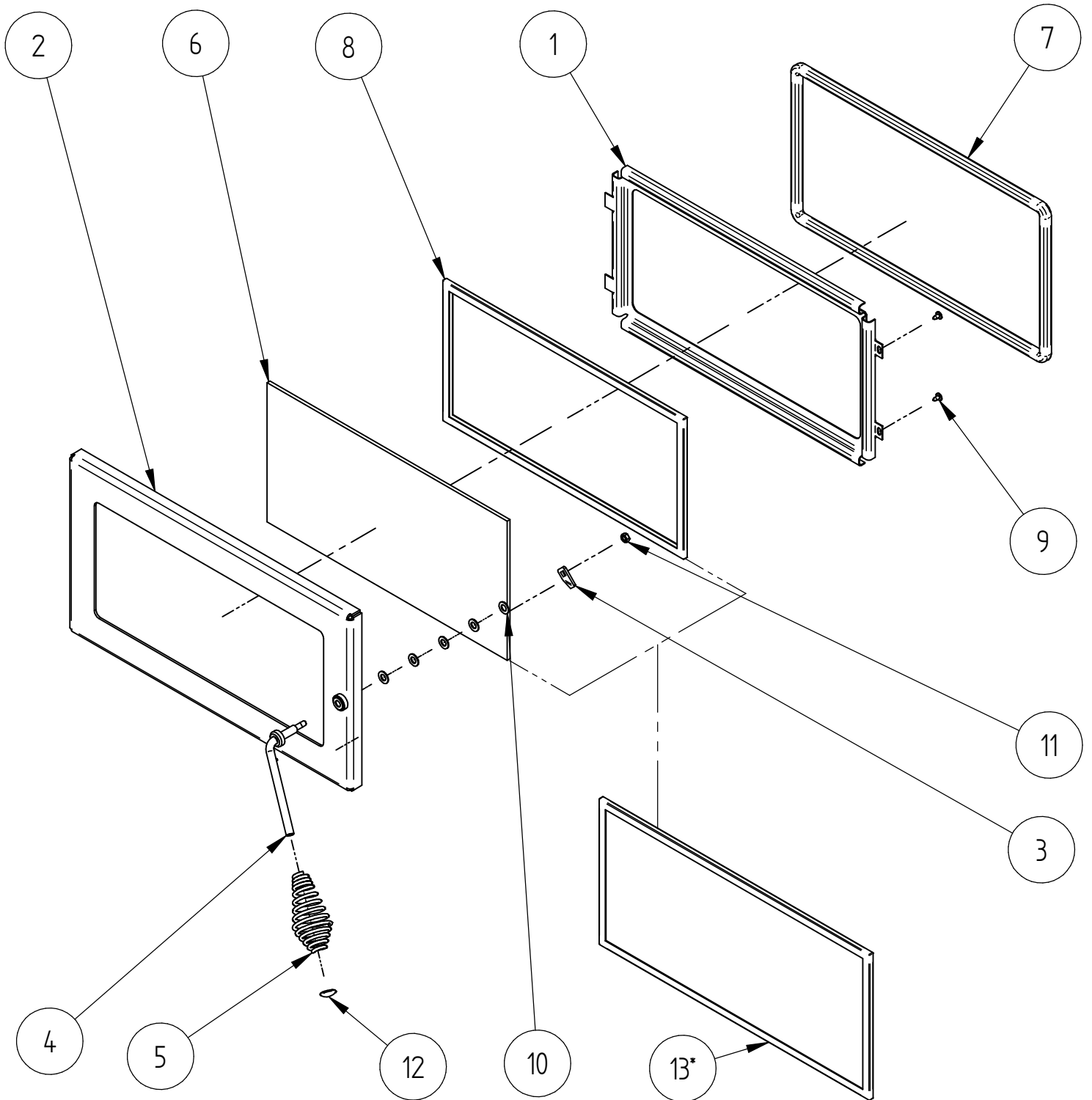


When ordering PLEASE QUOTE PART ID along with Finish Suffix (if applicable)

FIREBOX DETAILS: MIRAC004					
Item	Part ID	Model(s)		Description	Qty
		MIR2BK	992904		
1	MIC00107	-	-	MIC FIREBOX BOTTOM	1
2	MIC00106	-	-	MICROS F/B WRAP	1
3	MIC00108	-	-	MIC AIR INLET	1
4	MIR00001	-	-	MIR TOP PANEL	1
5	MIR00183	-	-	MIR DOOR RIDDLE	2
6	MIC00137	-	-	MIC AIRBAR PIN	1
7	MIC00120	-	-	MIC SPIGOT	1
8	MET00129	-	-	FIREBOX BUSH	4
9	523018	-	-	WASHER; FLAT 5/16"X5/8" BLK	2
10	MIR00123	-	-	MIR SEC AIR CHANNEL	3
11	MIR00219	-	-	MIR REAR HEAT CHANNEL	1

When ordering PLEASE QUOTE PART ID along with Finish Suffix (if applicable)

DOOR ASSEMBLY



When ordering PLEASE QUOTE PART ID along with Finish Suffix (if applicable)

DOOR ASSEMBLY					
Item	Part ID	Model(s)		Description	Qty
		MIR2BK	992904		
		MIRAC730V02			
1	MIC00034	-	-	MIC GLASS RETAINER	1
2	MWSAC030	V02	V02	MWS DOOR FRAME COMPLETE SUB ASSEMBLY	1
3	MIC00133	-	-	MIC DOOR LATCH PLATE	1
4	LAR00373	-	-	LAREDO DOOR SPINDLE	1
5	LAR00376	-	-	LAREDO DOOR HANDLE	1
6	MIC00204	-	-	MIC GLASS	1
7	C16MMDR	-	-	DOOR ROPE 16MM X 50m ROLL (MTR)	1
8	C25MMLT	-	-	LADDER TAPE 25x3x50m ROLL (MTR)	1
9	521627	-	-	SCREW; S/T 8GX3/8" MUSH FLANGE POZI BLK	2
10	523018	-	-	WASHER; FLAT 5/16"X5/8" BLK	6
11	522117	-	-	NUT; HEX STD M6 ZP	1
12	526002	-	-	CLIP; STARLOCK DOME 3/8'	1
13*	MICAC204	-	-	MIC GLASS KIT	1

*Optional Sale Kit

NOT ILLUSTRATED					
Item	Part ID	Model(s)		Descriptions	Qty
		MIR2BK	992904		
1	MIRBRICK	-N/A-	-	INSTRUCTION - BRICK LAYOUT	1
2	593286	-N/A-	-	OWNER MANUAL WOODFIRES	1
3	593287	-N/A-	-	INSTALL MANUAL WOODFIRES	1
4	MIR2M738	-N/A-	-	MIR 2 & MIR INSTALLATION DATA SHEET	1
5	MIR20738	-	-N/A-	MIR 2 & MIR INSTALLATION DATA SHEET	1
6	MIC00739	-	-N/A-	LOGAIRE OPERATION MANUAL	

SURFACE FINISH CODES FOR PANELS						
VITREOUS ENAMEL		VHT PAINT(Very High Temp)			POWDER COAT	
E01	MATT BLACK	V02	P-000022	METALLIC BLACK	P02	MATT BLACK
E02	GLOSS BLACK	V03	P-000043	CHARCOAL	P03	CHARCOAL
E03	CHARCOAL	V04	P-000081	TITANIUM	P05	SATIN BLACK
		V05	P-000051	CHARCOAL (DAM MET BLK)	P09	METTALIC BLACK
		V06	P-000052	METALLIC BLACK ZINC		
LESS FREQUENTLY OR OLD SURFACE FINISH CODES FOR PANELS						
VITREOUS ENAMEL		VHT PAINT(Very High Temp)			POWDER COAT	
E04	JASMINE	V01		SATIN BLACK HIGH TEMP	P01	BLUE/BLACK
					P04	GLOSS CHARCOAL
					P07	FLAT BLACK

When ordering PLEASE QUOTE PART ID along with Finish Suffix (if applicable)